

PCC-NF Series

COMPACT BUCK-BOOST 1A/24VA DC TO DC POWER CONVERTER WITH 6VDC -70VDC INPUT MODULE

The Tech9 Corporation PCC-NF Series Compact Buck-Boost 1A/24VA DC to DC Power Converter with 6VDC-70VDC Input Module is an economical Power Converter that features accurate DC output. This module is short circuit tolerant with wide input voltage range suitable for a variety of power sources. This series is useful for a wide range of applications. It comes in a compact TO-220 compatible footprint.

- Operates on DC input over a wide range of source voltages, 6V to 70V
- Non floating design
- Buck-boost design
- Available in a range of output voltages: 3, 3.3, 5, 6, 9, 12, 15, 24 and 48 volt
- Short circuit tolerant
- Very Small Footprint, TO-220 compatible
- Wide temperature range, -40°C to 85°C

AVAILABLE OPTIONS (Call factory)

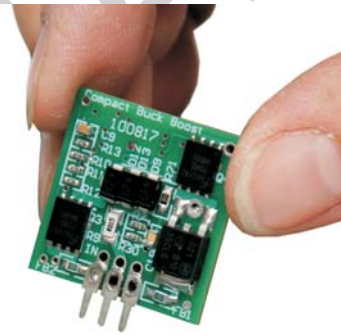
- Ferrite bead noise suppression
- Companion "Load Dump" Module

ORDERING INFORMATION:

MODEL PCC-NF- -3SM

3 for 3V output
3.3 for 3.3V output
5 for 5V output
6 for 6V output
9 for 9V output
12 for 12V output
15 for 15V output
24 for 24V output
48 for 48V output
CT for custom voltages up to 70VDC Call Factory

ORDER ONLINE AT www.t9corp.com



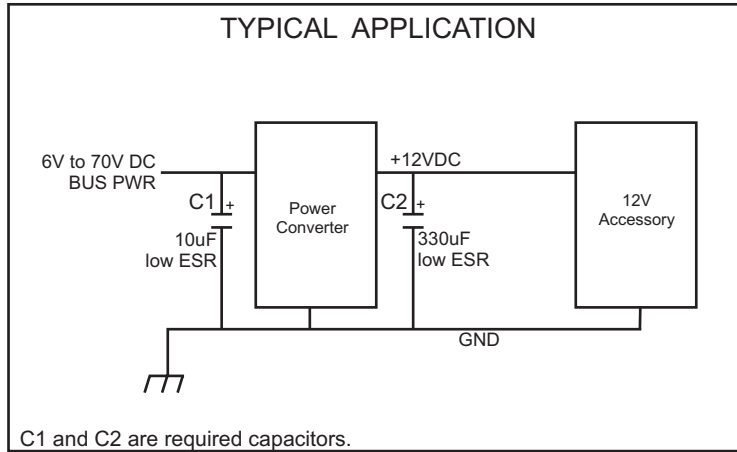
Electrical Specifications:

All specifications are for an input of +24 volts DC 20°C and 0.5 Amp load unless otherwise indicated.
10uF low ESR capacitor required on input pin within 1 inch of device.
330uF low ESR capacitor required on output pin within 1 inch of device.
All specifications subject to change without notice.

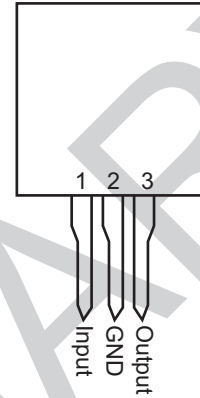
	Min	Typical	Max	Comments
Output Voltage	Nom -2%	Nom	Nom +2%	No load voltage
Nom is one of 3, 3.3, 5, 6, 9, 12, 15, 24 or 48 volts	Nom -5%	Nom -3%	Nom -1%	Voltage at 1 amp (or rated VA) load
Short-Circuit Protection		1.2		Amps (or VA rating), triggers "hiccup" mode until short clears
Quiescent Current		9	12	MA
Input Voltage Range	6		70	Volts, input
Output Voltage to Input Voltage Ratio			6:1	
Operating Temp.	-40		85	°C

PCC-NF Series

COMPACT BUCK-BOOST 1A/24VA DC TO DC POWER CONVERTER WITH 6VDC -70VDC INPUT MODULE



PCC-NF Series
SIP Module Pin Definition
Front View



Specifications

